

# TRONXY 3D PRINTER P802M

## INSTALLATION GUIDE v.07

# Classification Of Screws



M3 nuts 60pcs



M8 nuts 12pcs



M8 Cushion ring  
12pcs



M3\*20mm screws  
58pcs



M3\*10mm screws  
17pcs



M3\*14mm screws  
4pcs



M2.5\*10mm black  
screws 2pcs



M3\*30mm screws  
7pcs



Plastic Pillars 4pcs

# Classification Of Screws



M3\*30mm screws 4pcs



M4\*15mm screws  
12pcs



Wing nuts\*4



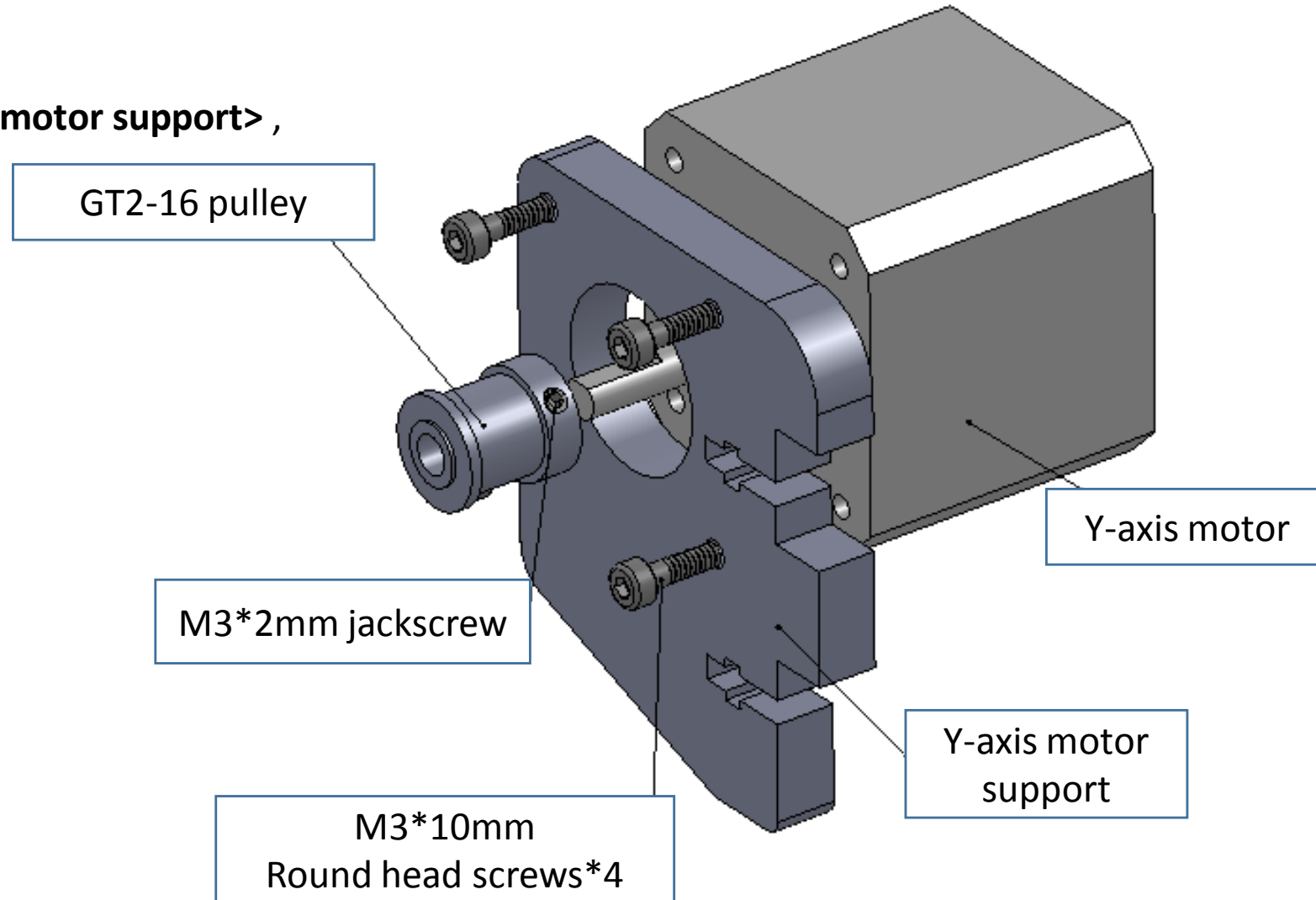
Compression springs\*4



M3\*20mm screws  
4pcs

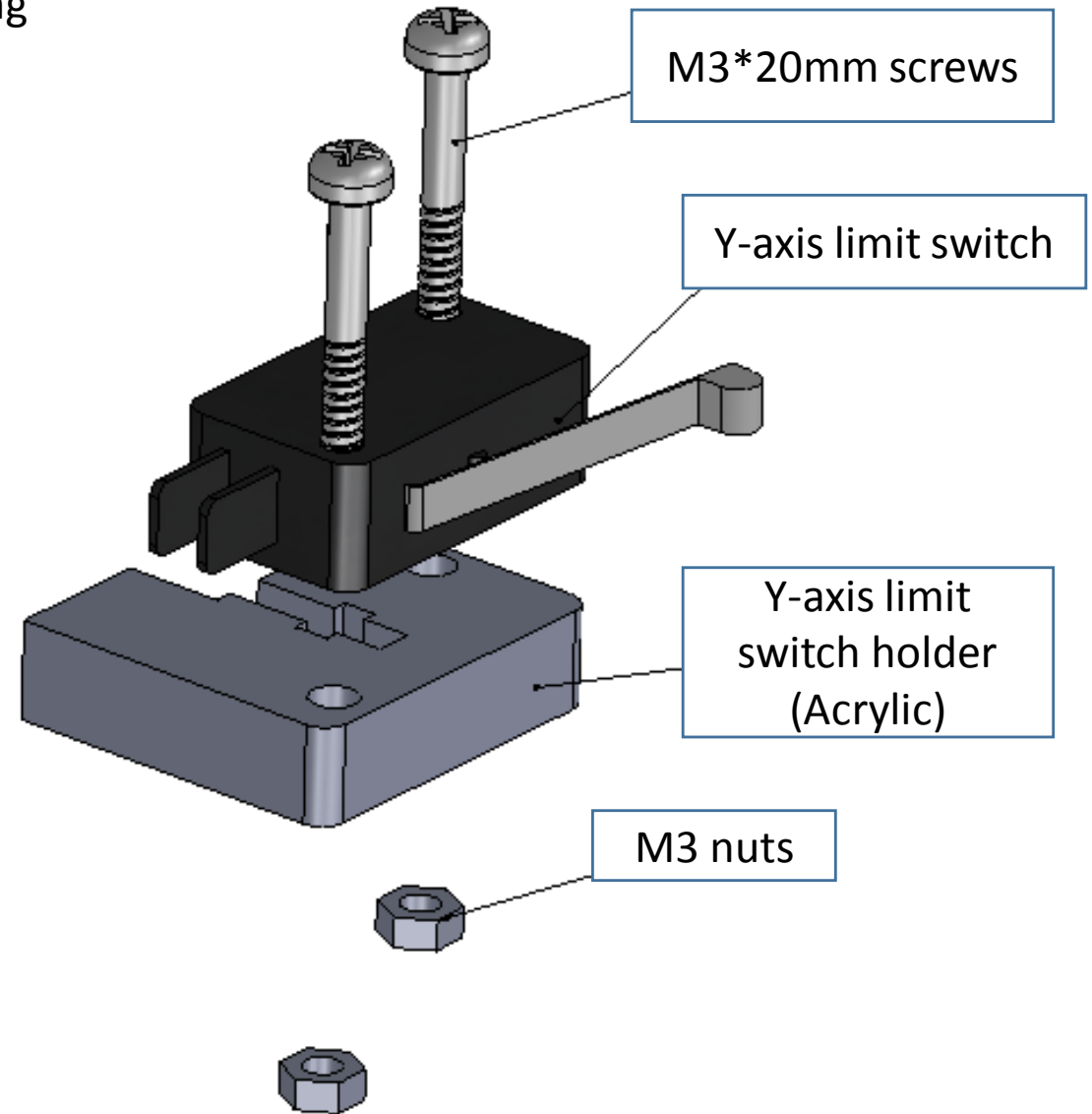
## Step 1 Assemble Y-axis Motor

- ◆ Fit the **GT2-16 pulley** on the motor, Locking with **M3\*2mm jackscrew**.
- ◆ As the picture, Put Y-axis motor on **<Y-axis motor support>** , locking with Four **M3\*10mm screws**.



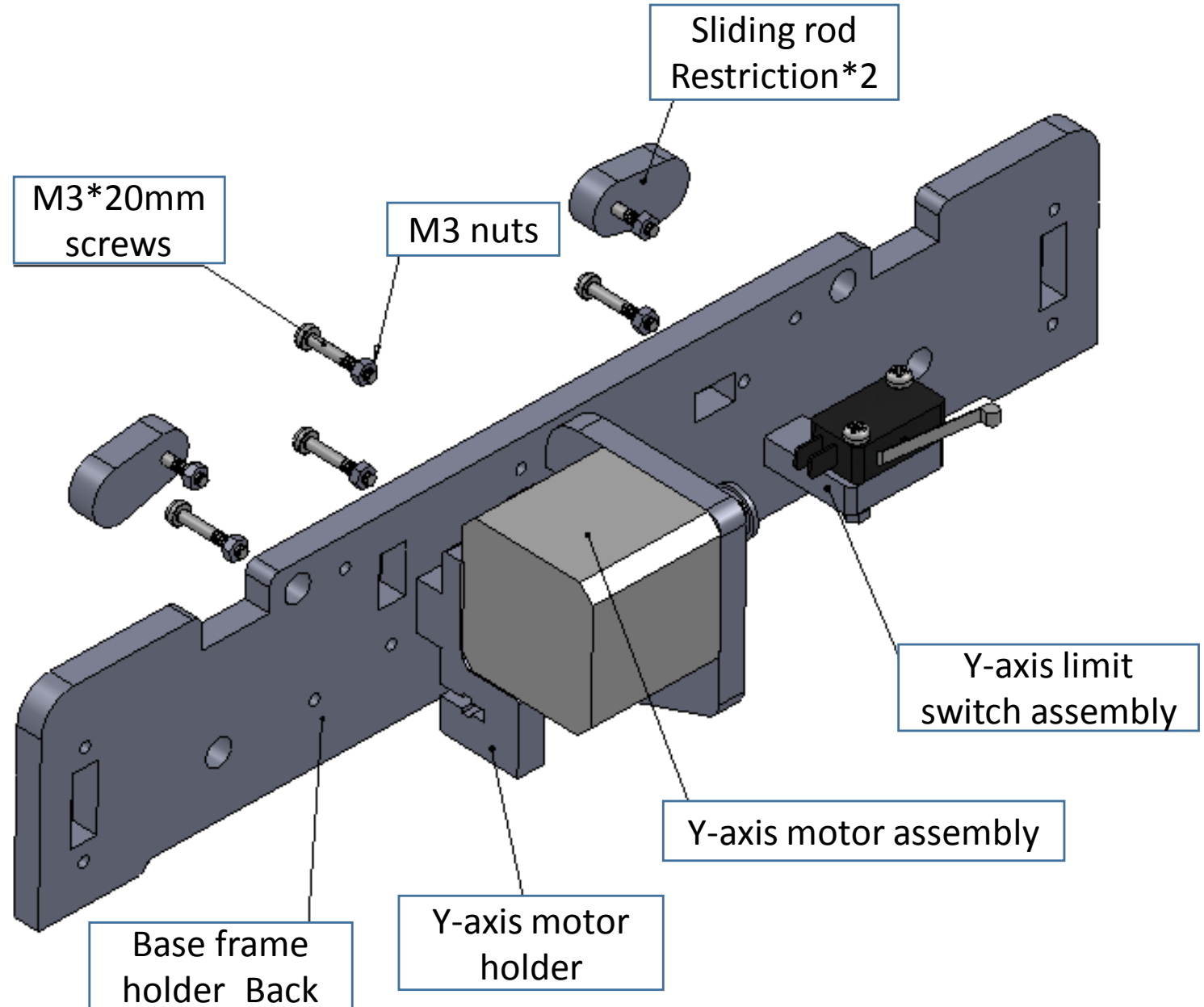
## Step 2 Assemble Y-axis Limit switch

- ◆ Put the **Y-axis limit switch** and the **holder** together ,locking with two **M3\*20mm screws & nuts**. As picture



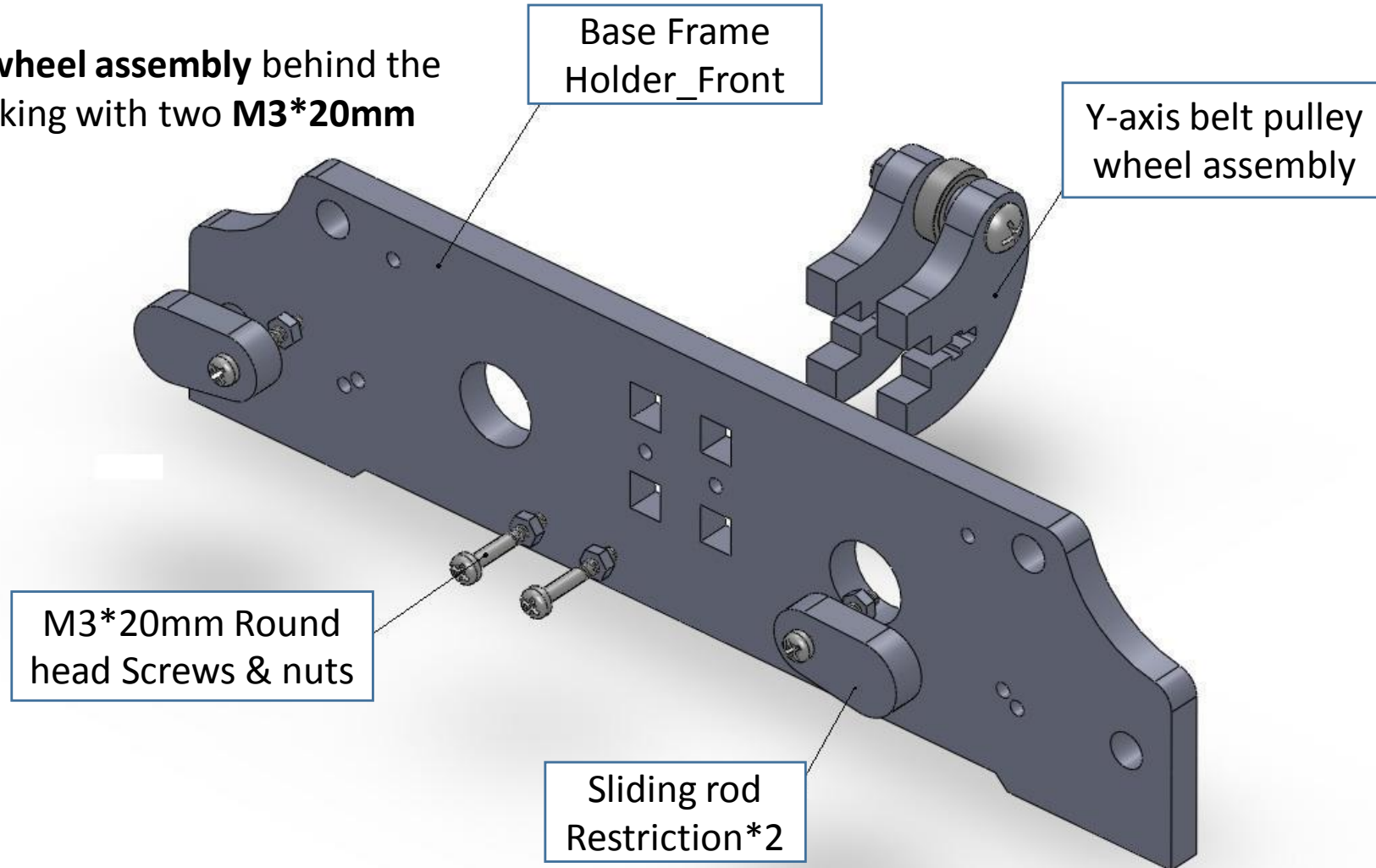
### Step 3 Assemble Base Frame Holder\_Back

- ◆ As the picture, put two of the **Sliding rod Restriction** in front of the **base frame holder (back)**. locking with two **M3\*20mm screws & nuts**.
- ◆ Put the limit switch and holder assembly on the base frame holder, locking with one **M3\*20mm screw & nut**.
- ◆ Put **Y-axis motor holder** on base frame holder ,locking with one **M3\*20mm screw & nut**.
- ◆ Put **Y-axis motor assembly** on base frame holder, locking with three **M3\*20mm screws & nuts**.

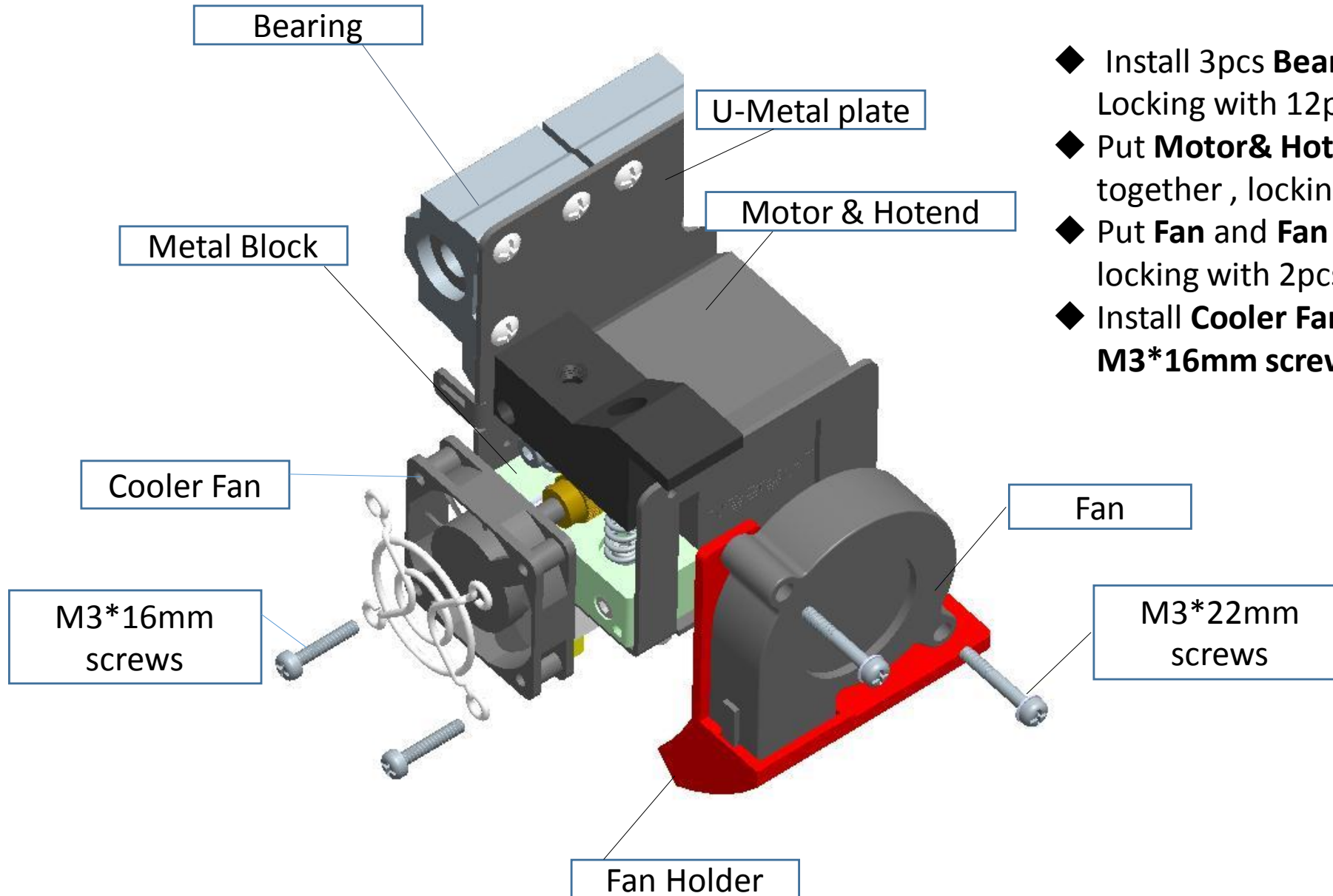


## Step 4 Assemble Base Frame Holder\_Front

- ◆ As the picture, put two of the **Sliding rod Restriction** in front of the **base frame holder \_front**. locking with two **M3\*20mm Round head screws & nuts**.
- ◆ Put **Y-axis belt pulley wheel assembly** behind the base frame holder, Locking with two **M3\*20mm screws & nuts**.



## Step 5 Assemble Extruder



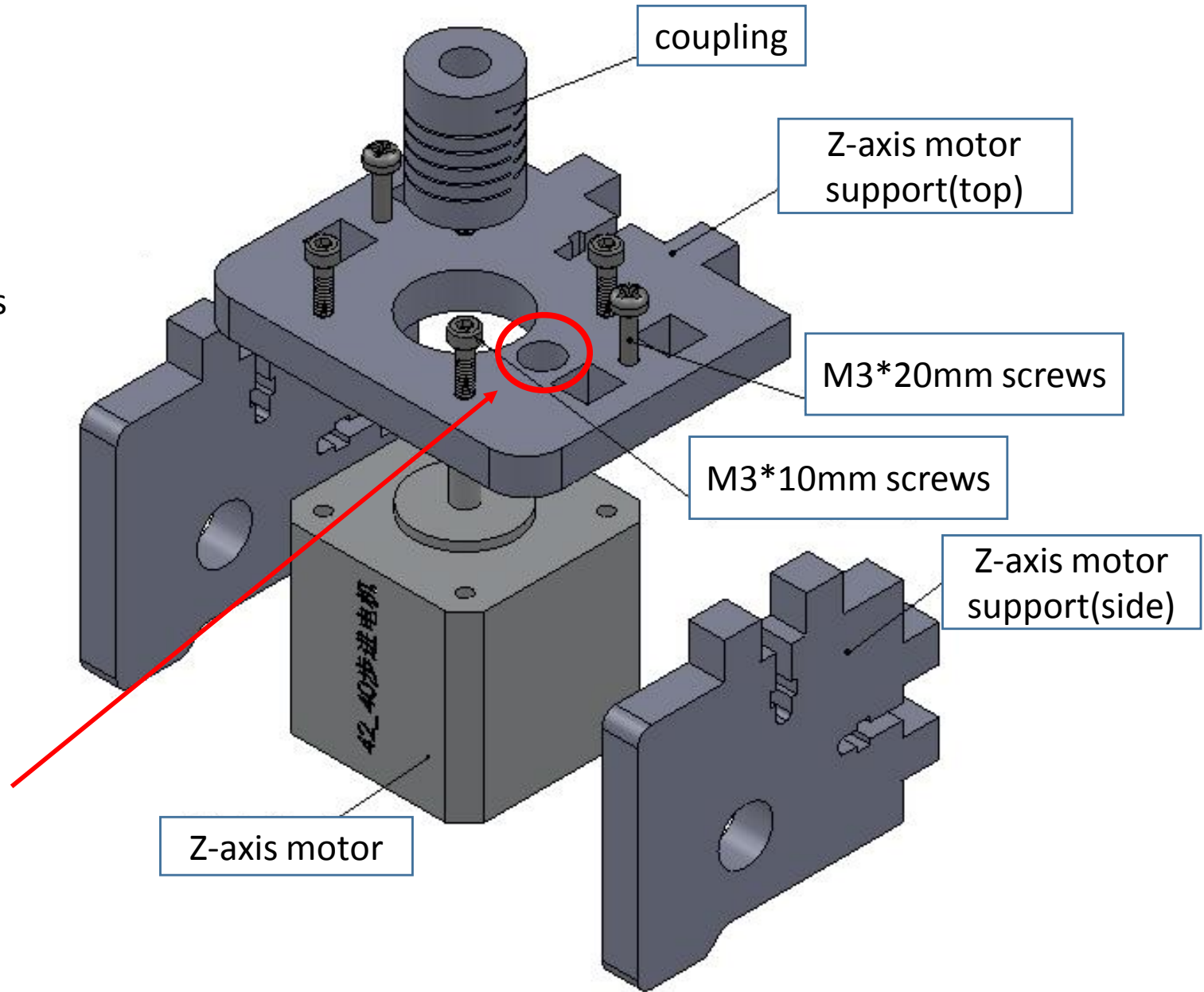
- ◆ Install 3pcs **Bearings** to the **U-Metal Plate**, Locking with 12pcs **M4\*8mm screws**.
- ◆ Put **Motor& Hotend module** and **U-Metal plate** together , locking with 2pcs **M3\*10mm screws** .
- ◆ Put **Fan** and **Fan Holder** to the U-Metal plate, and locking with 2pcs **M3\*22mm screws**
- ◆ Install **Cooler Fan** on the **Metal Block** use 2pcs **M3\*16mm screws** .



## Step 6 Assemble Z-axis motor

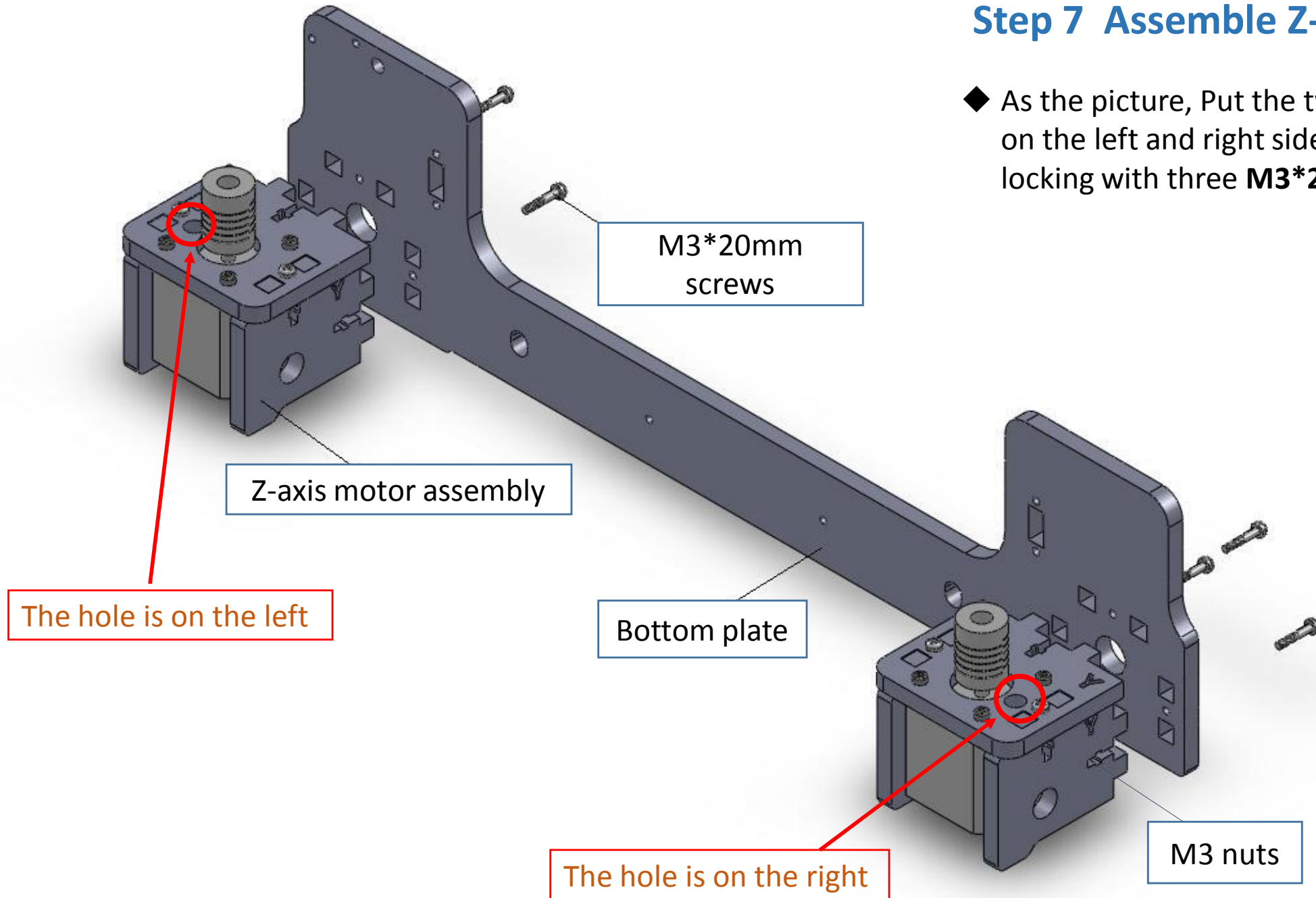
- ◆ Put two **Z-axis motor support(side)** in two sides of the motor, Cover the **Z-axis motor support(top)** on the top, locking with **M3\*20mm screws & nuts**.
- ◆ The cable of Z-axis motor is back of the Z-axis motor support. Locking **Z-axis motor** with four **M3\*10mm screws**.
- ◆ Put the **coupling** on the motor, locking with the jackscrews.
- ◆ Another Z-axis motor is the same assembly.

Note: There are 2pcs Z axis motors . See the hole , the right motor put the hole on the right , the left motor put the hole on the left . (The picture shows the right motor )



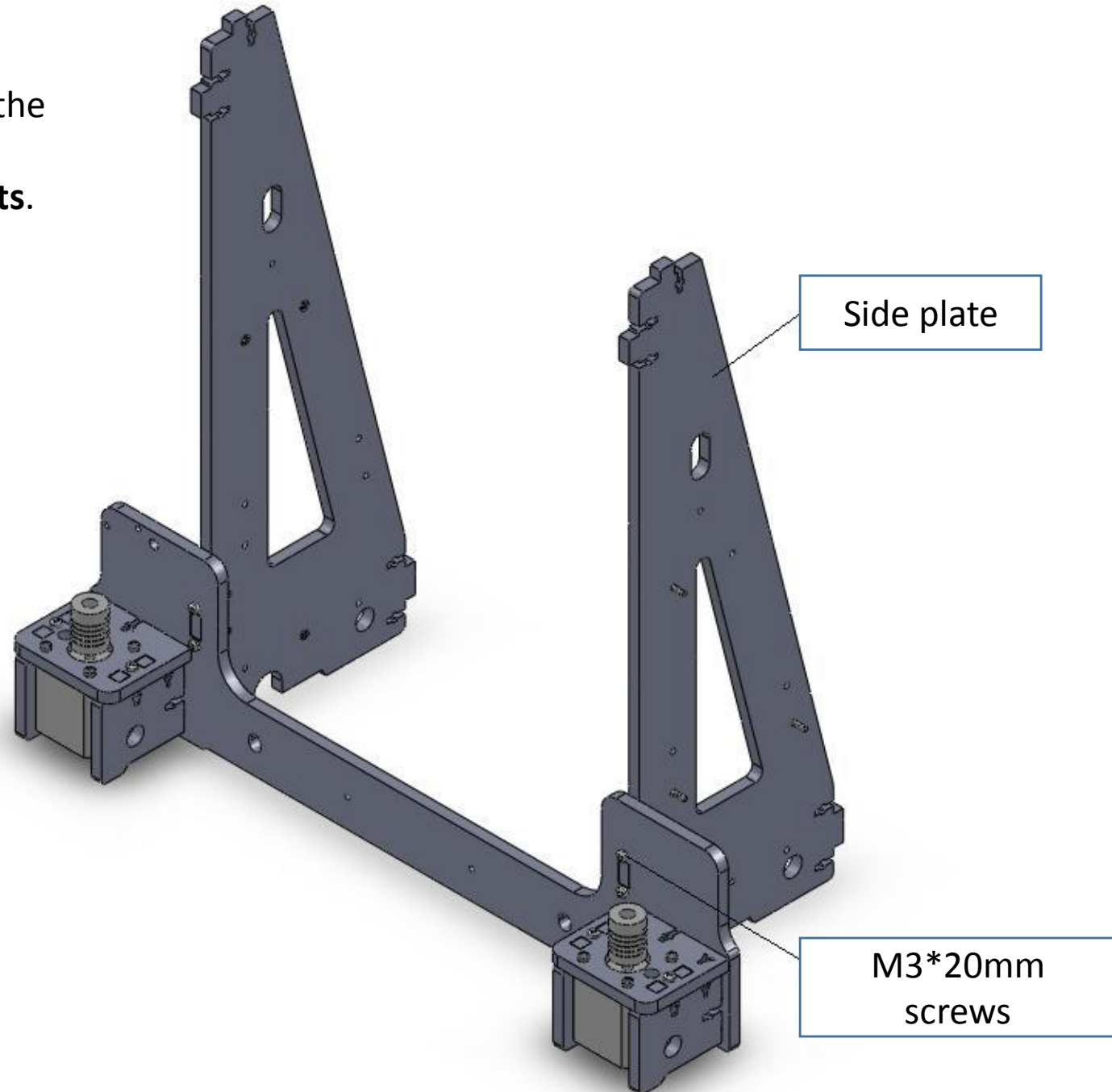
## Step 7 Assemble Z-axis

- ◆ As the picture, Put the two **Z-axis motors assembly** on the left and right side of the **Bottom plate**, locking with three **M3\*20mm screws & nuts**.



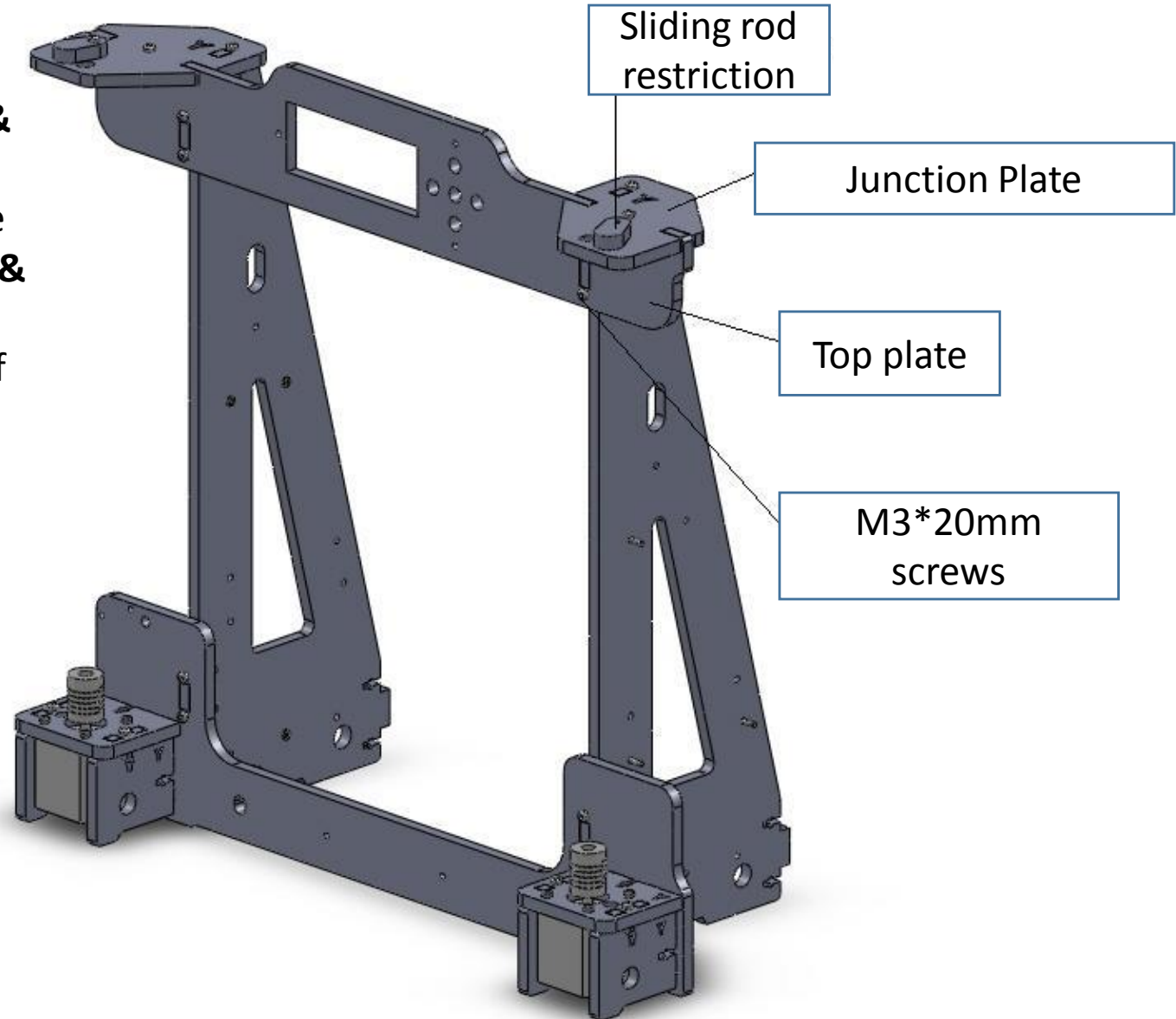
## Step 8 Assemble Side plate

- ◆ As the picture, Put the two **Side plate** on the left and right side of the **Bottom plate** , locking with four **M3\*20mm screws & nuts**.



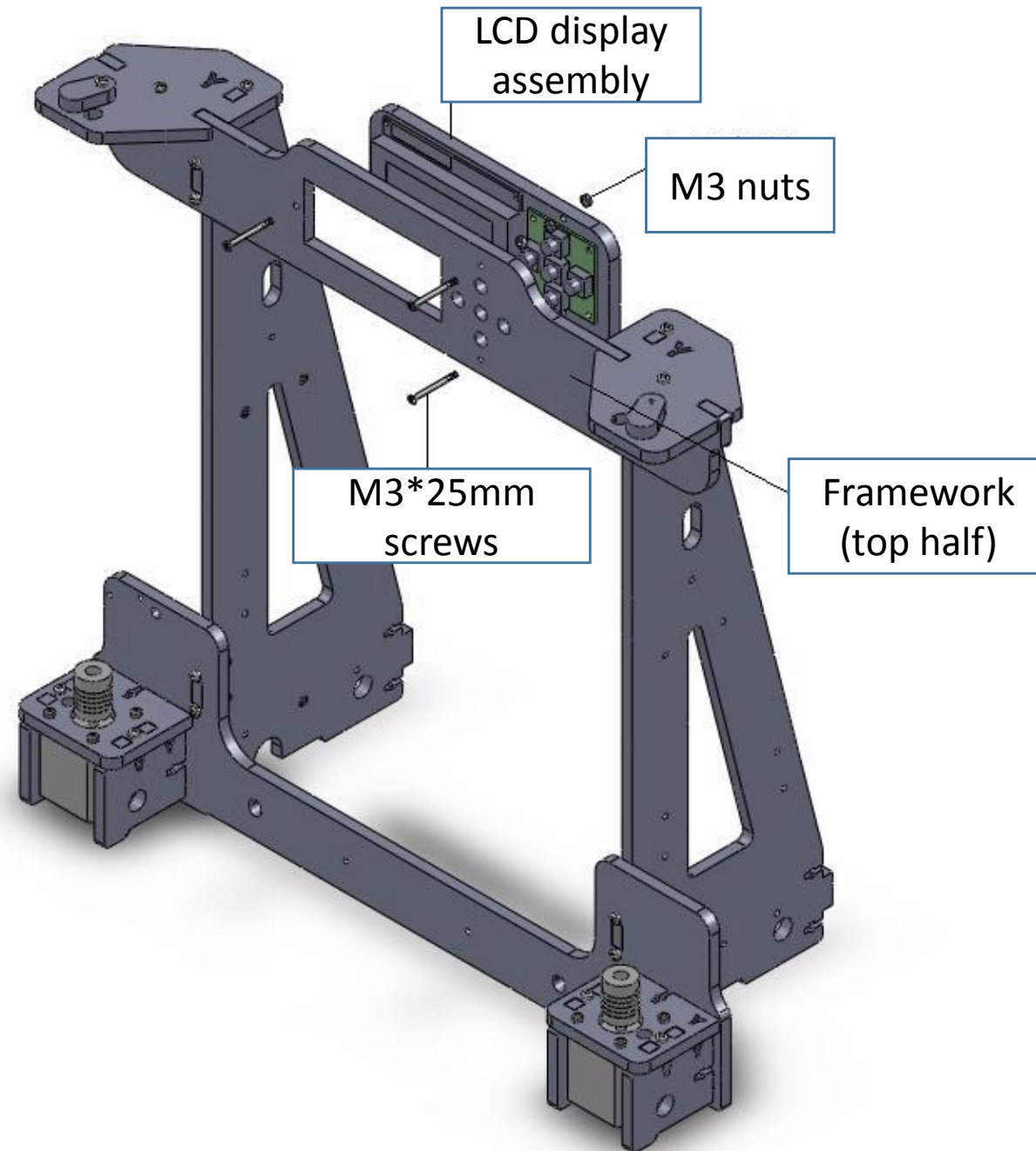
## Step 9 Assemble Top plate & Junction Plate

- ◆ As the picture, Put the **Top plate** on **Side Plate**, locking with four **M3\*20mm screws & nuts**.
- ◆ Put the two **Junction Plate** on the top of the **Side plate**, locking with four **M3\*20 screws & nuts**.
- ◆ Put two **sliding rod restriction** on the top of left and right sides. Locking with one **M3\*20mm screw & nut** each.



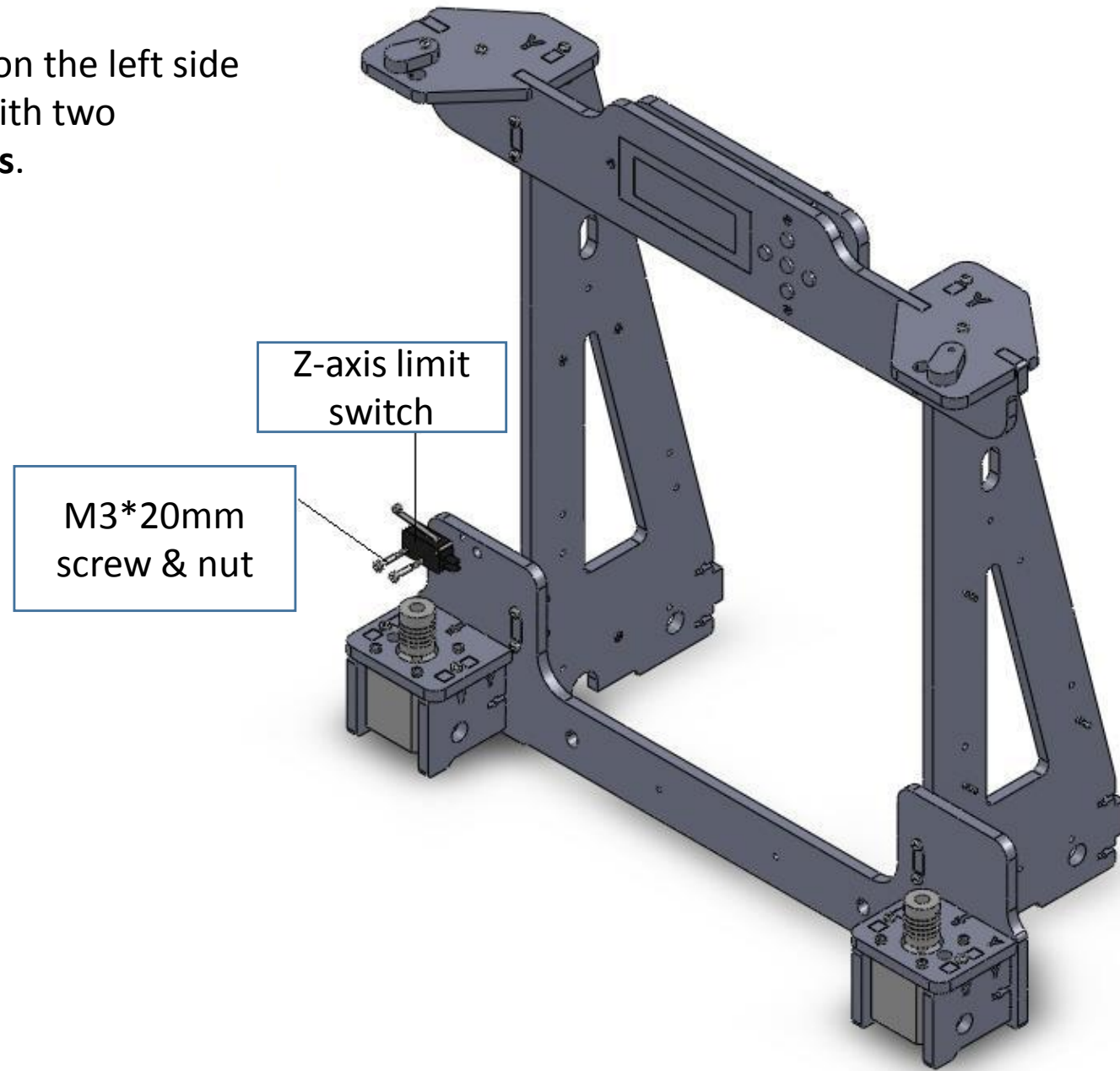
## Step 10 Install LCD display

- ◆ Put the **LCD display** on the top of the **Top plate** ,locking with three **M3\*25mm screws &nuts**



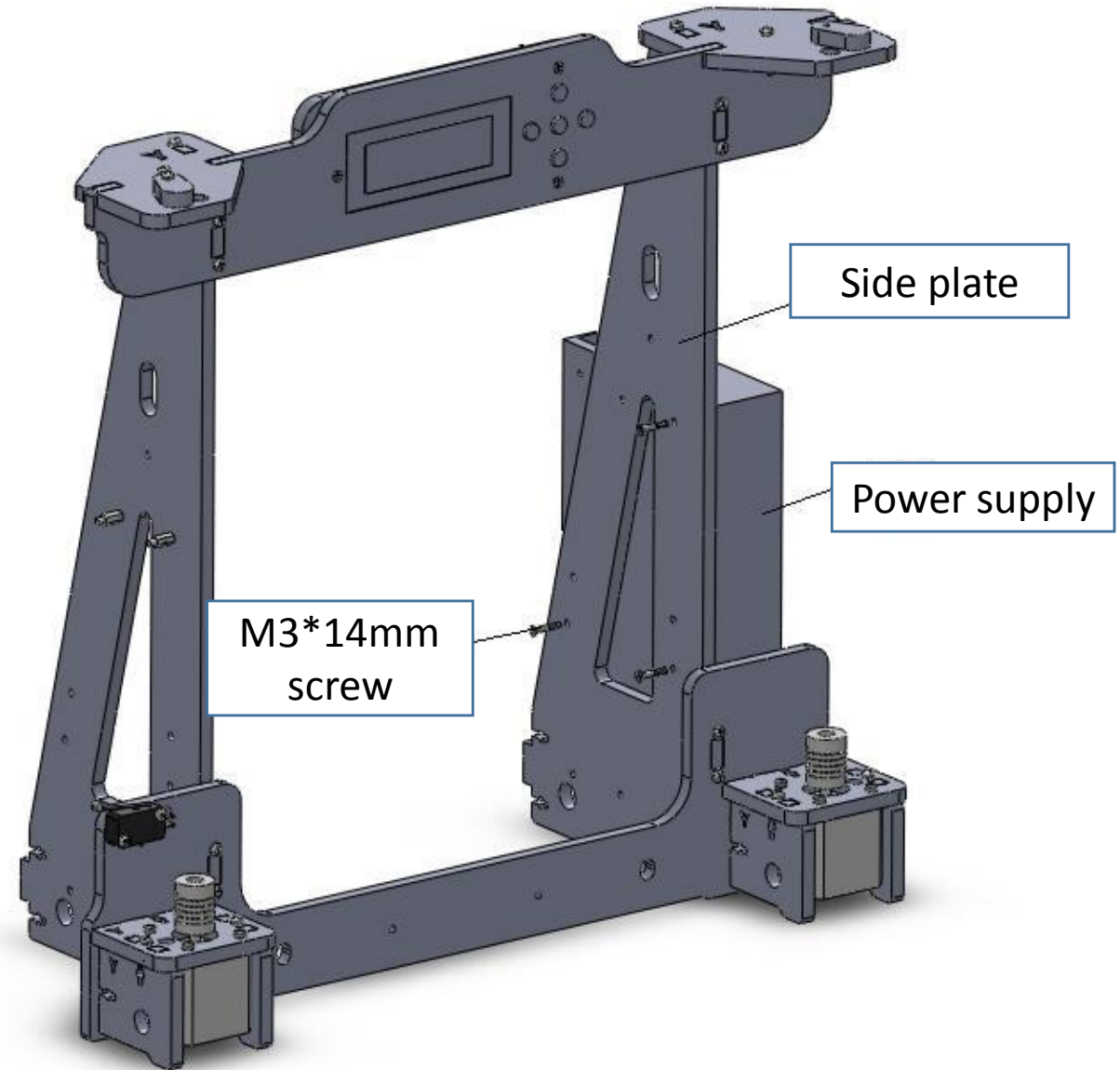
## Step 11 Install Z-axis Limit switch

- ◆ Put the **Z-axis limit switch** on the left side of **Bottom plate**, Locking with two **M3\*20mm screws and nuts**.



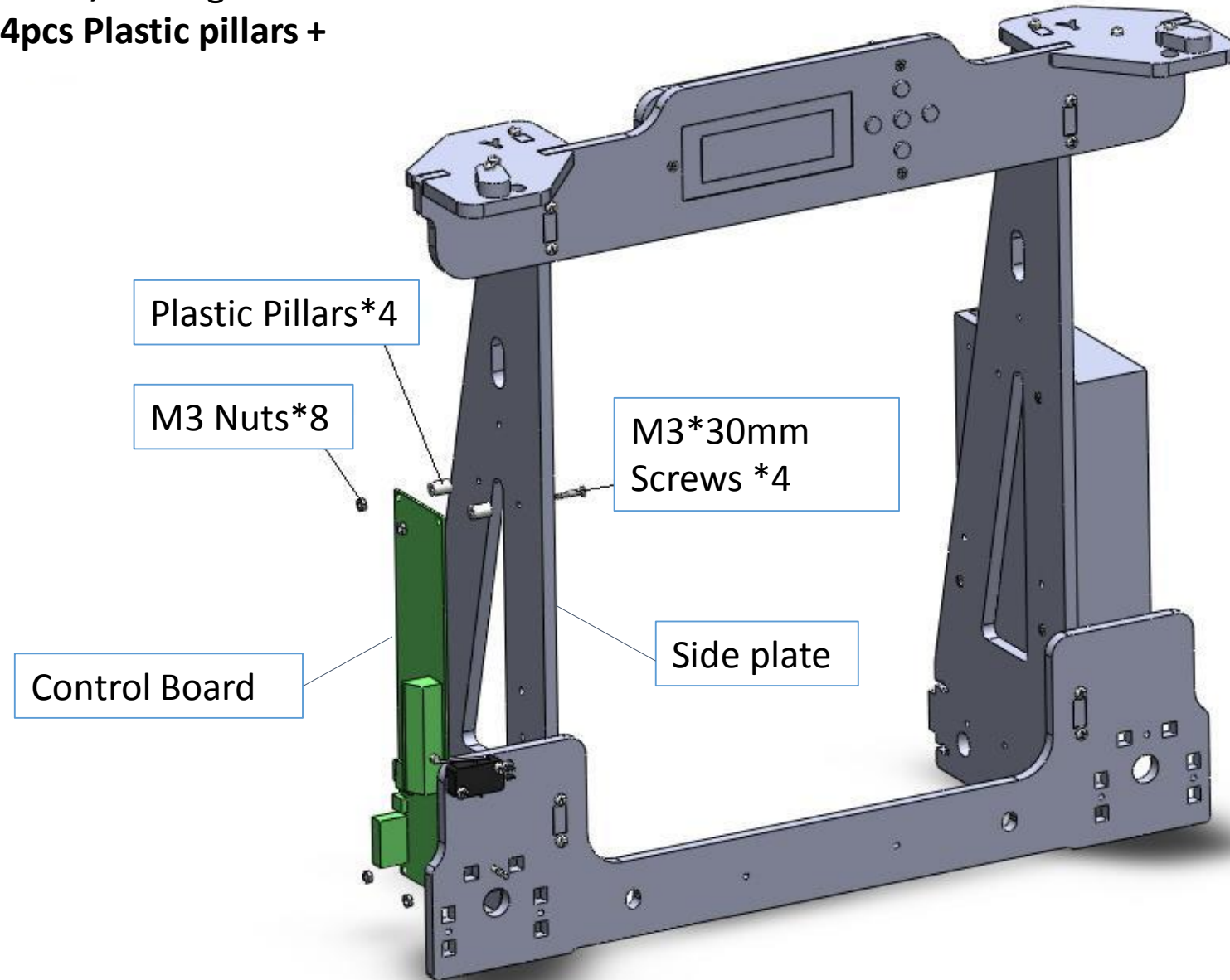
## Step 12 Install Power supply

- ◆ Put **Power supply** on the right of the **side plate** , locking with three **M3\*14mm screws** and nuts.



## Step 13 Install PCBA Control Board

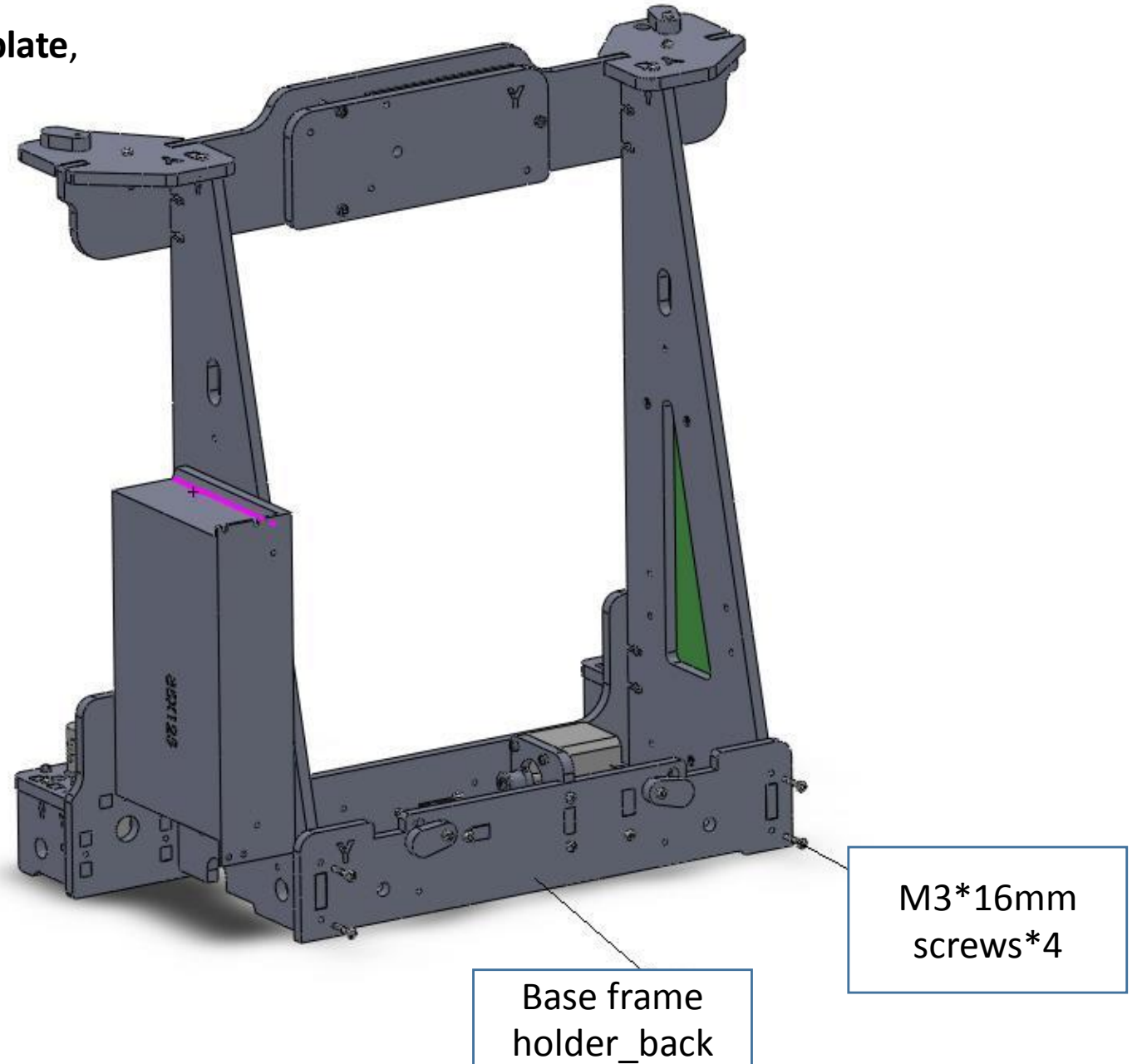
- ◆ Install **Control Board** as picture , locking with Four **M3\*30mm screws** + **4pcs Plastic pillars** + **4pcs M3 nuts**





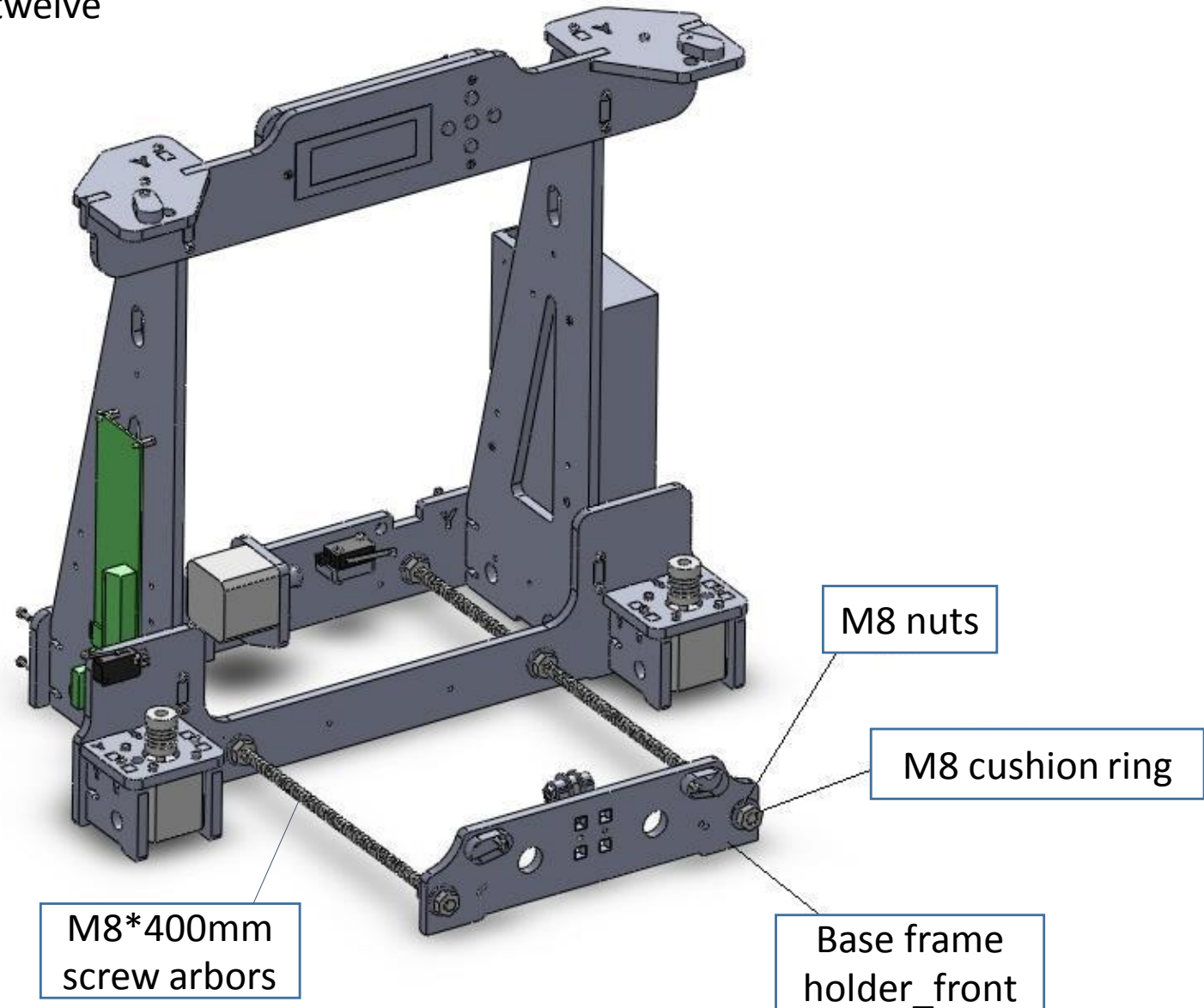
## Step 14 Install Base frame holder\_Back

- ◆ Put the **Base frame holder\_back** back of **Side plate**, locking with four **M3\*20mm screw**



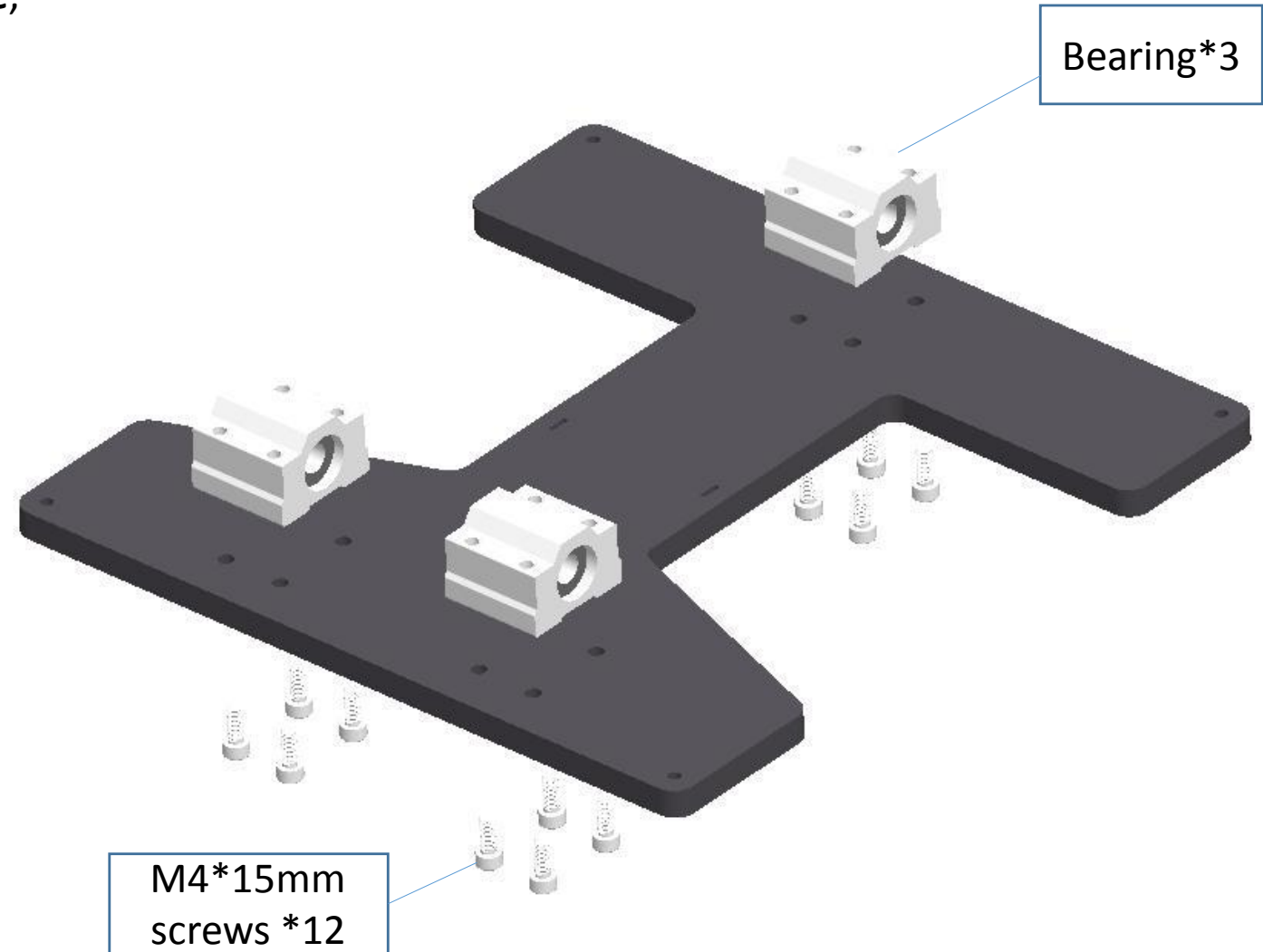
## Step 15 Install Base Frame Holder\_Front

- ◆ Through the **Frame Holder\_Front & Back** by two **M8\*400mm screw arbors**, locking with twelve **M8 Nuts & cushion ring**.



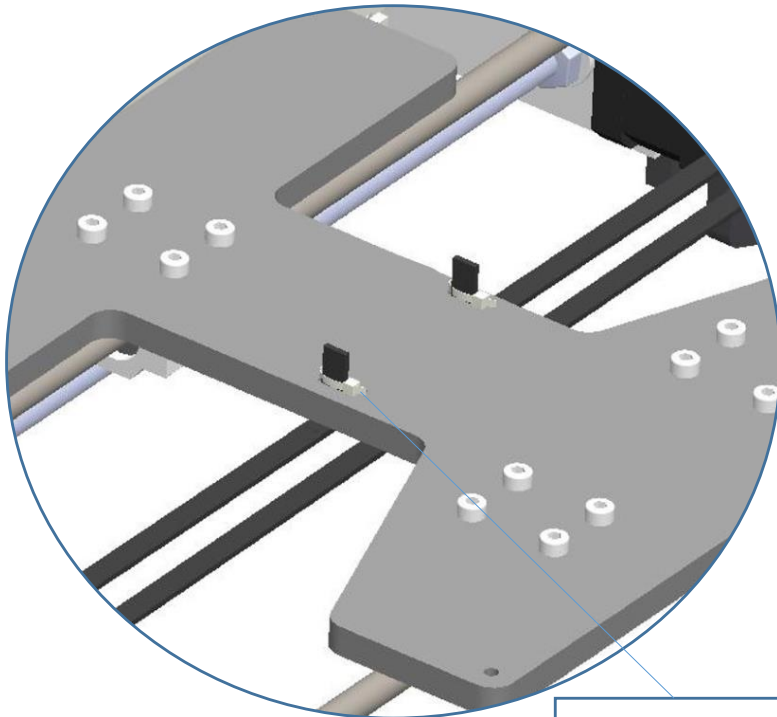
## Step 16 Assemble Bed frame

- ◆ Place three **bearings** under the **bed frame**, locking with twelve **M4\*15 screws**.

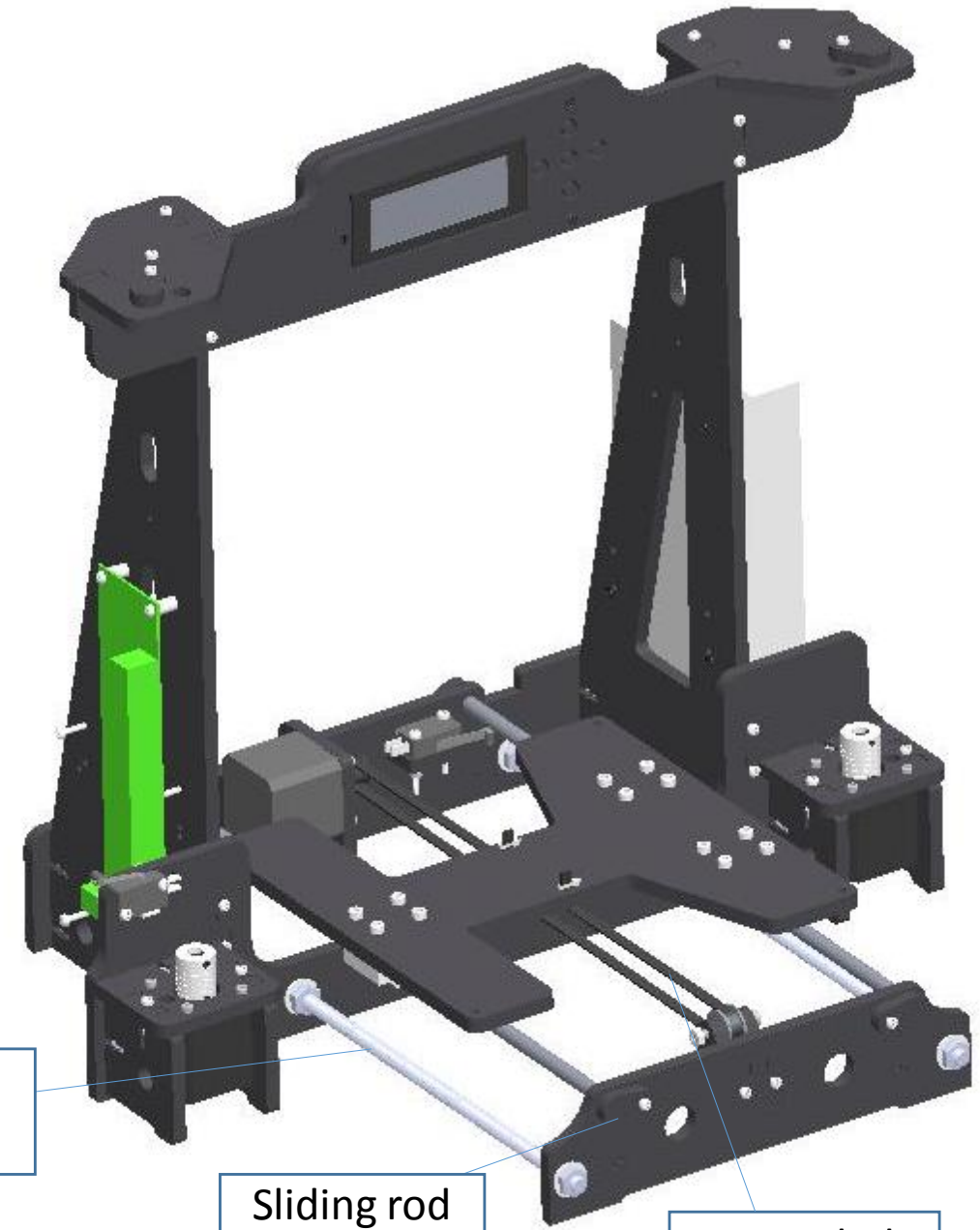


## Step 17 Assemble Bed frame

- ◆ Place three **bearings** under the **bed frame**, locking with twelve **M4\*15 screws**.
- ◆ Through the bed frame on the base by two of **M8\*380mm Sliding rod**. Fix both end by Sliding rod restriction
- ◆ Tighten one end of the timing belt to the bed frame using a zip-ties. the other end through the Y-axis motor and belt pulley wheel on the base frame holder , Then tighten it to the bed frame using zip-ties as shown in the picture .



Nylon cable ties



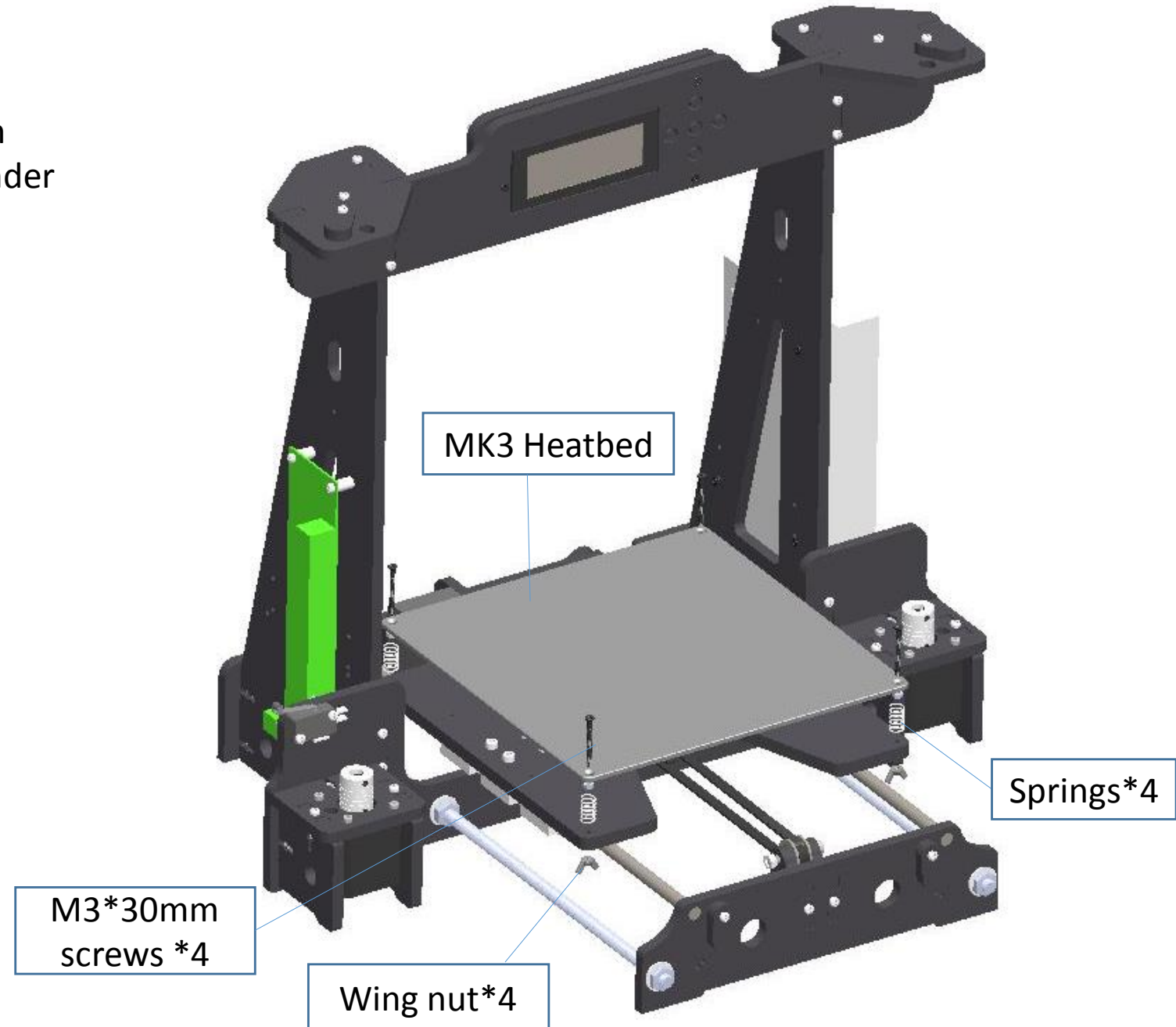
M8\*380mm  
sliding rod\*2

Sliding rod  
Restriction

Timing belt

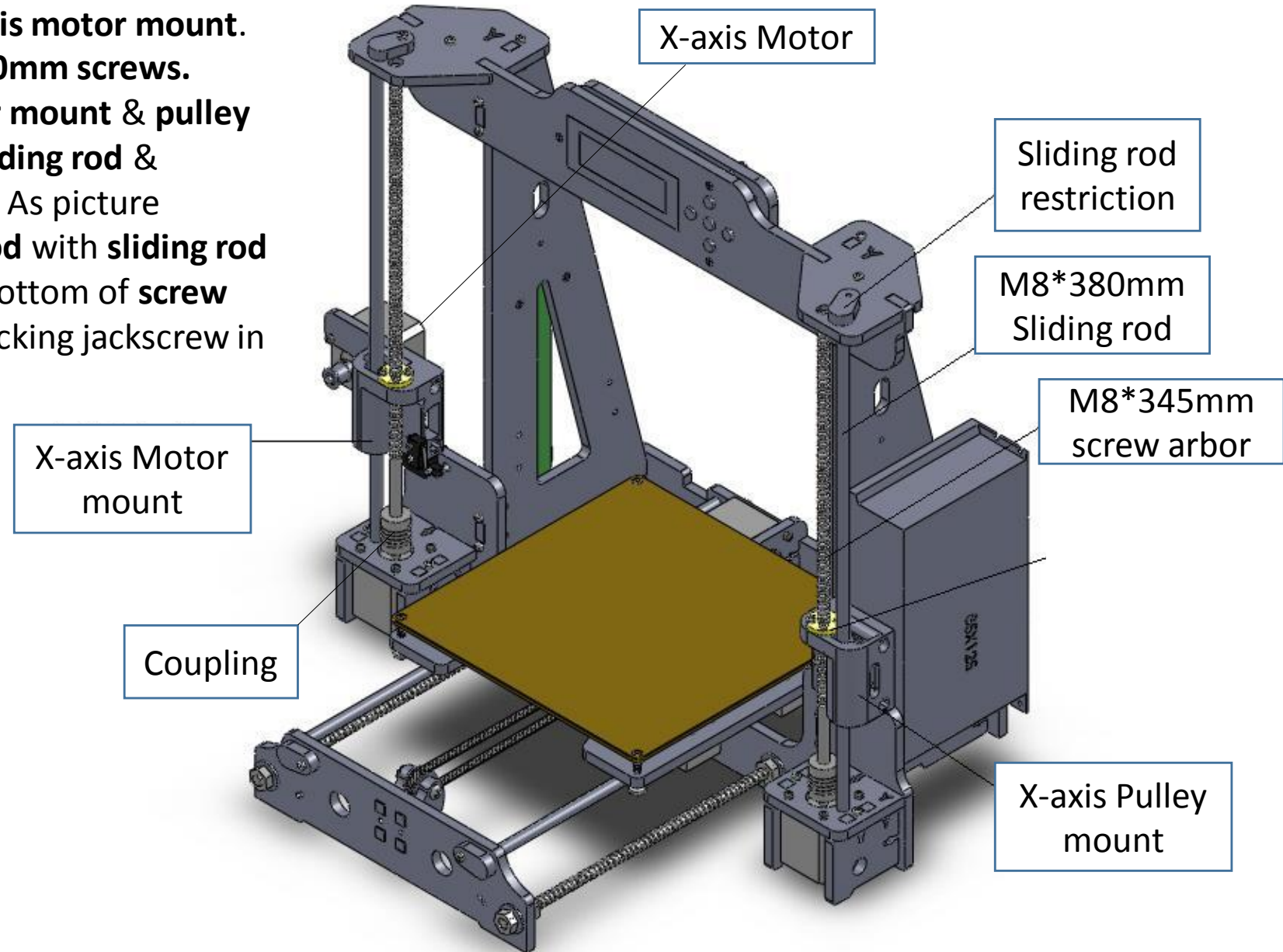
## Step 18 Assemble Heatbed

- Place the MK3 heatbed on the bed frame use 4pcs springs between them, and then through 4pcs M3-30mm screws, top 4pcs wing nuts under the bed frame.



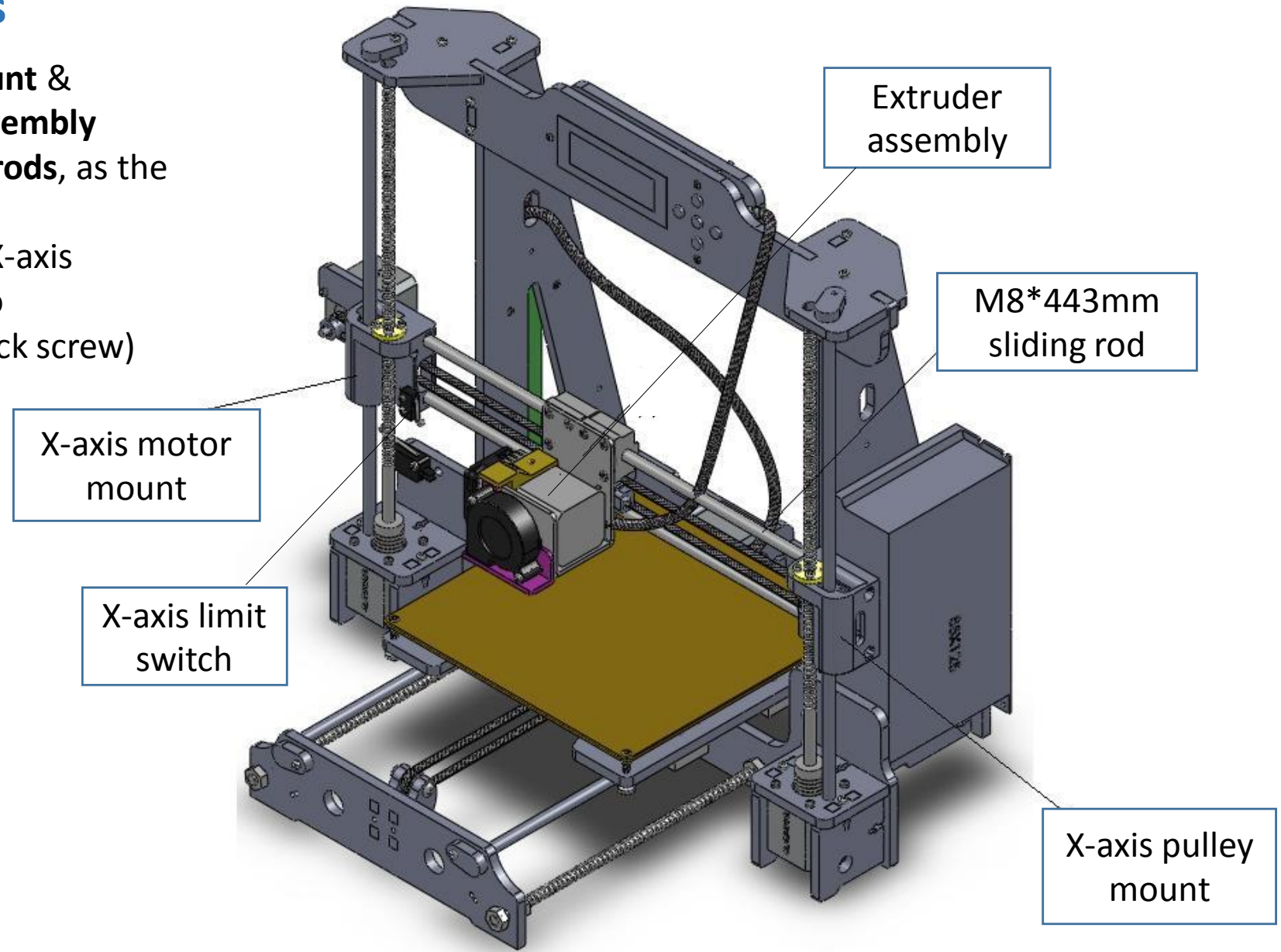
## Step 19 Instal X-axis Motor & Pulley mount

- ◆ Put **X-axis motor** on **X-axis motor mount**. Locking with three **M3\*10mm screws**.
- ◆ Through the **X-axis motor mount & pulley mount** by **M8\*380mm sliding rod** & **M8\*345mm screw arbor**. As picture
- ◆ Limit the top of **sliding rod** with **sliding rod restriction**, connect the bottom of **screw arbors** with **couplings**, locking jackscrew in coupling.



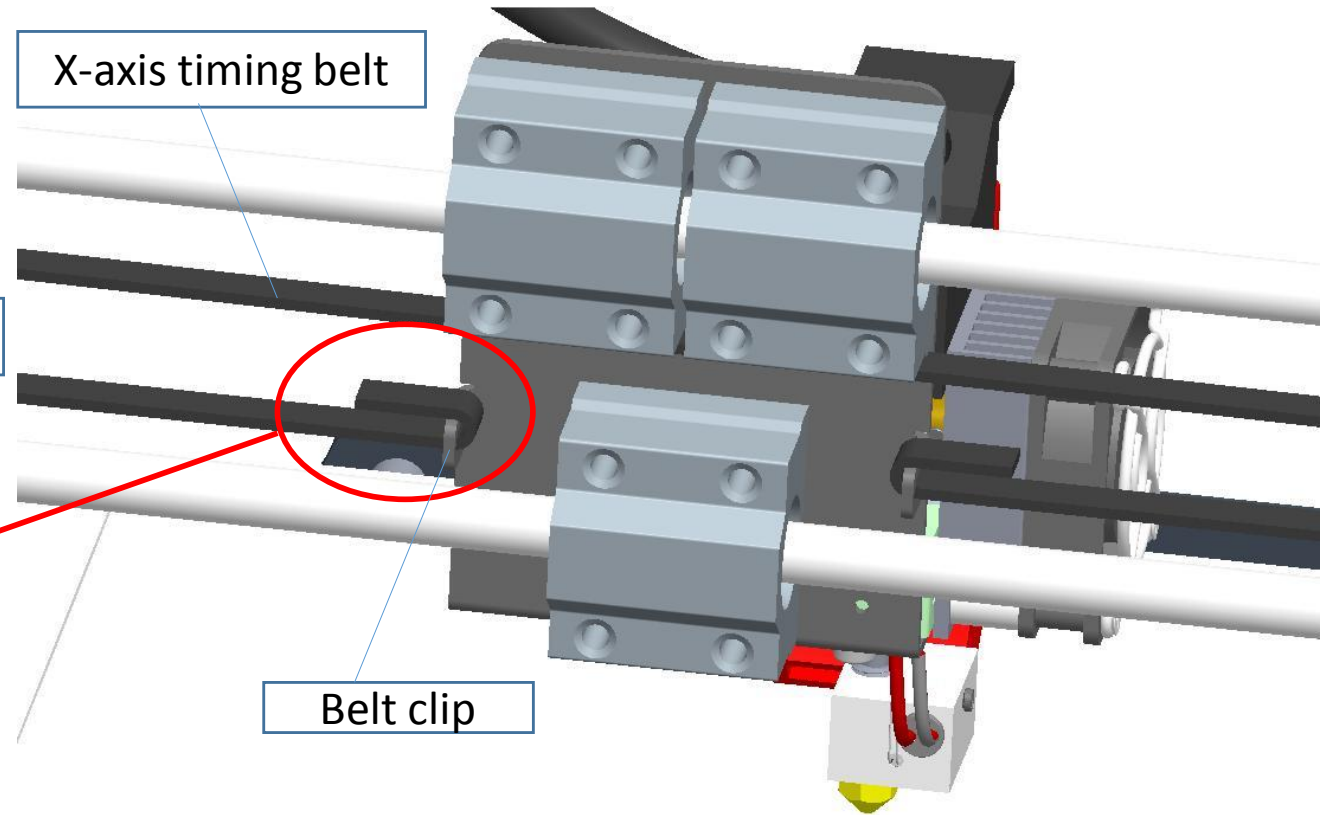
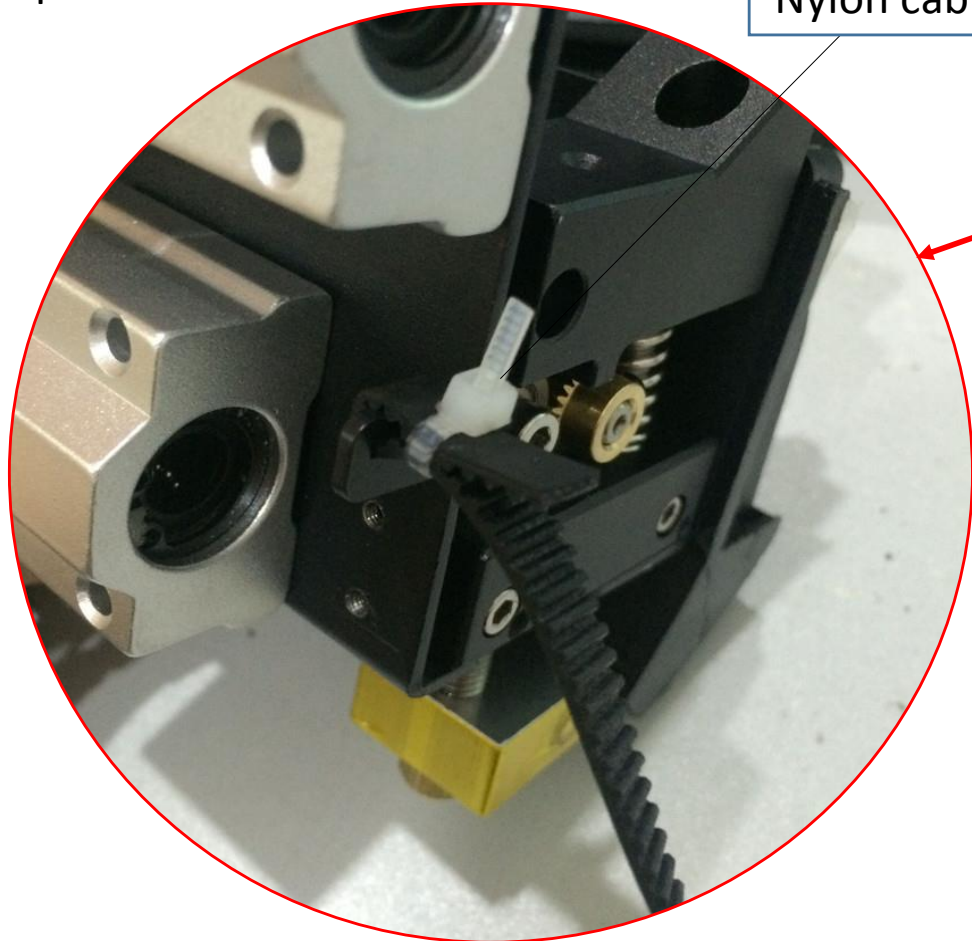
## Step 20 Assemble X-axis

- ◆ Through the X-axis **motor mount** & **Pulley mount** and **Extruder assembly** using two **M8\*443mm sliding rods**, as the picture.
- ◆ Put **X-axis limit switch** on the X-axis motor mount, locking with two **M2.5\*10mm screws** (small black screw)



## Step 21 Instal X-axis Timing Belt

- ◆ Tighten one end of the **Timing Belt** to the **Belt clip** with **Nylon cable ties**. The other end through the X-axis pulley & motor , then tighten another end of the belt to the another **Belt clip** with **Nylon cable ties** . as picture below



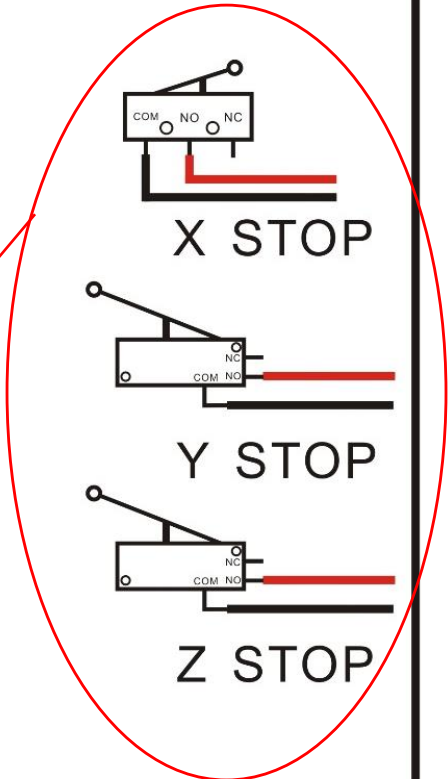


# Step 22 Control Board Wiring Diagram

◆ The method of connecting wire is as picture

**!NOTE!: The wires connected to POWER SUPPLY and HETBED must be AWG14 or thicker one.**

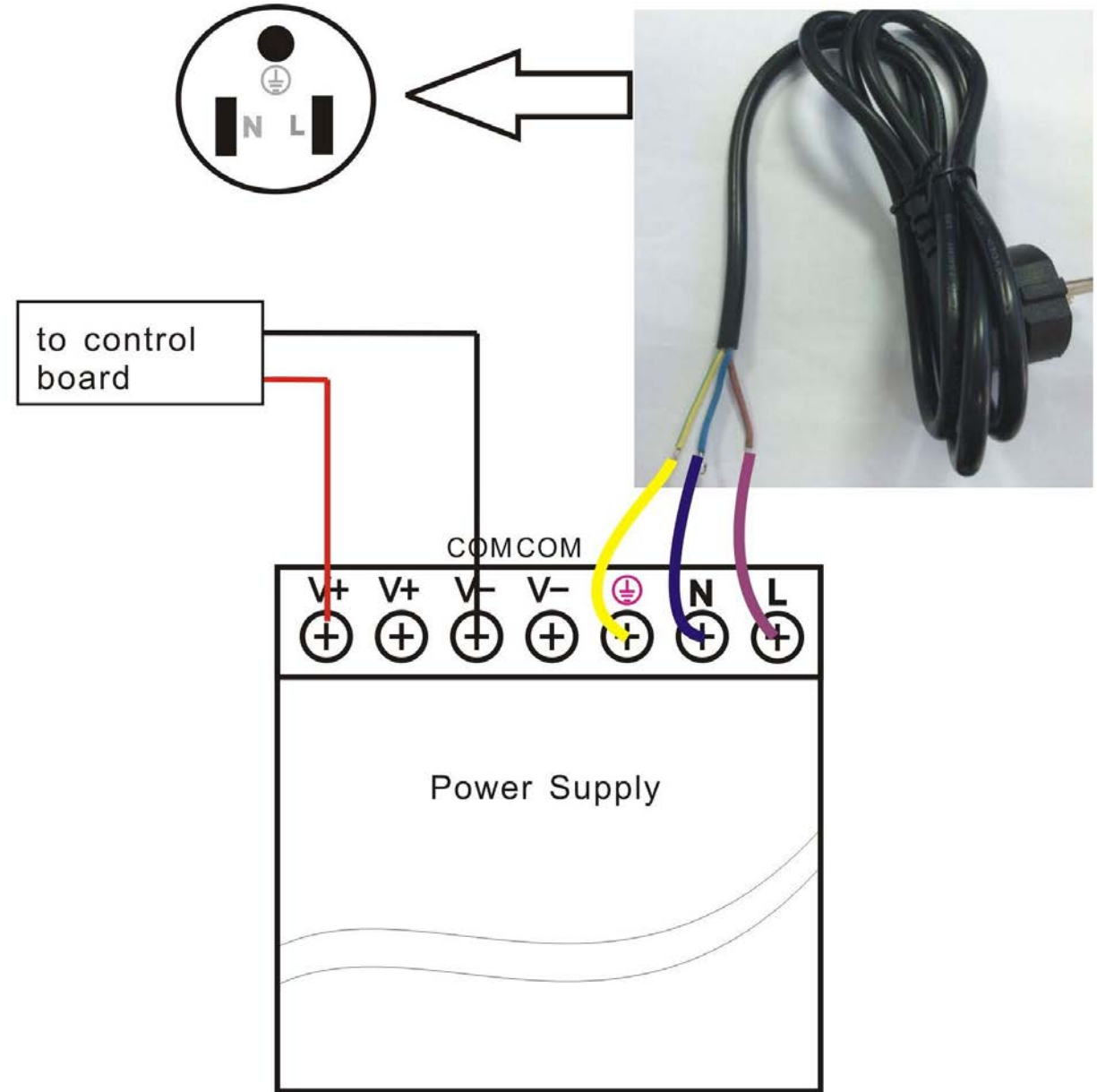
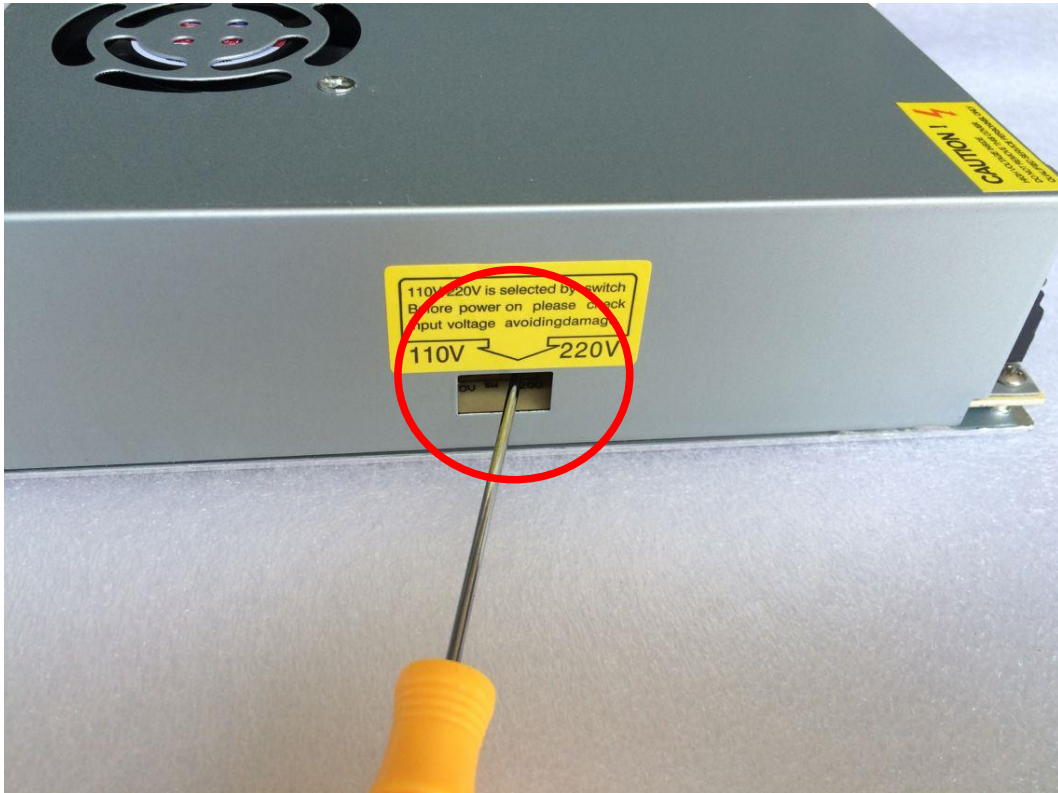
Wire the X Y Z axis Limit switches "COM" and "NO" these 2 ends , as pictures



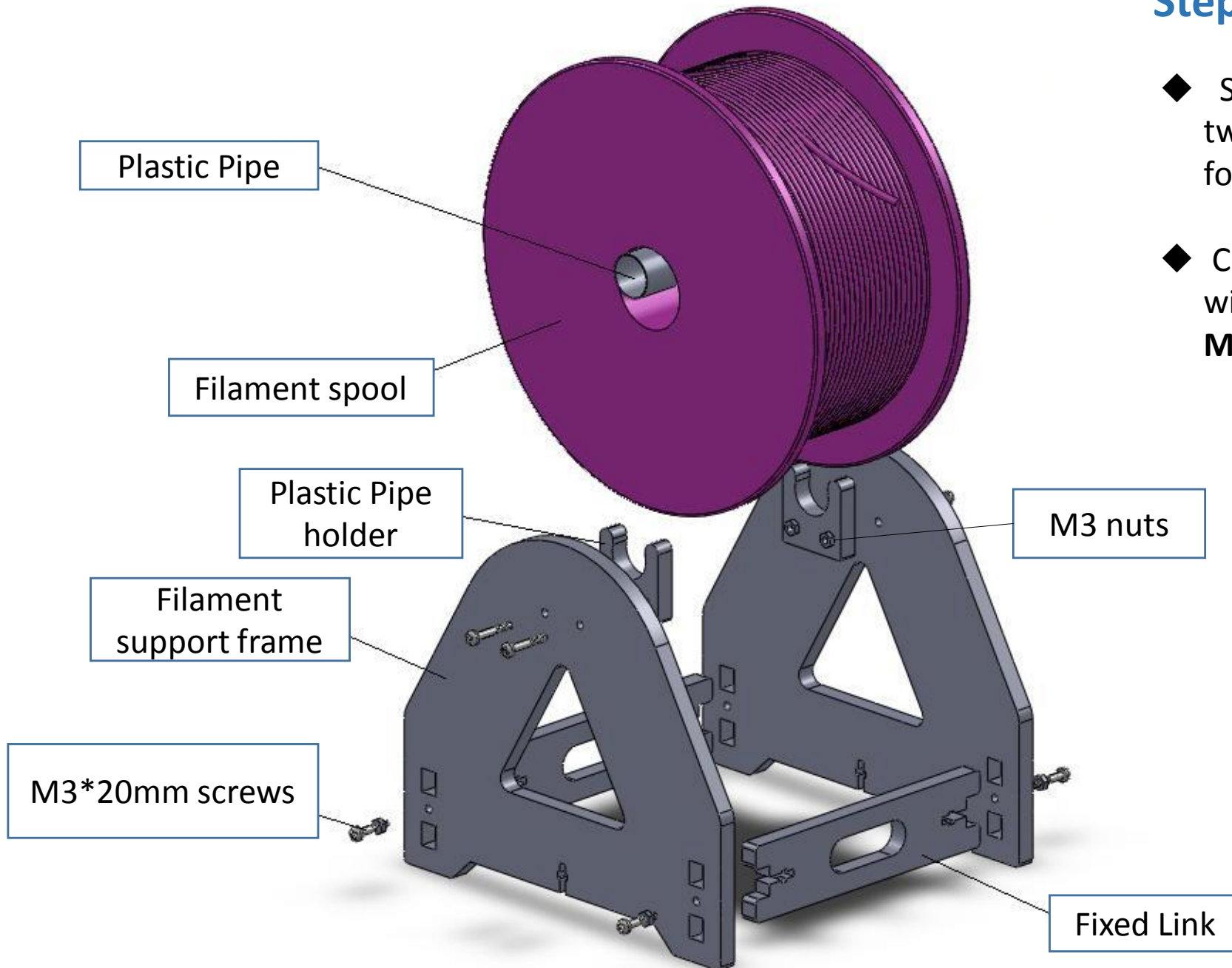
## Step 23 AC Power Connector Wiring Diagram

- ◆ Connect Power cable as the picture (Right)

**Note:** There are different voltages in different country. Please select the appropriate voltage by switch before power on. As the picture below.



## Step 24 Assemble Filament Feeder



- ◆ Separately put two **Plastic Pipe holder** on two **Filament support frame**, locking with four **M3\*20mm head screws & nuts**.
- ◆ Connect the two **Filament support frames** with two **Fixed links**, locking with four **M3\*20mm screws & nuts**

# Installation Finished

